

Series 37

DESCRIPTION

Integral Series 37 Rotary Switches are manufactured using an innovative approach to achieving quality through Design. The Rotary Motion is used through cams, to operate Micro Switches of high reliability and long life.

These switches have specially been designed for the Machine Tool Industry Control Panels, wherein the switch has to operate in hostile environment.

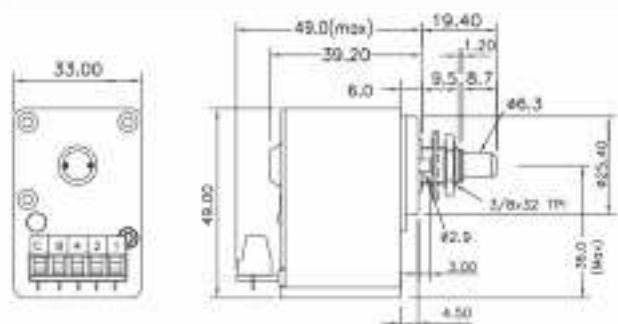
FEATURES

- Assembled to customer requirements.
- Wide range of output codes.
- Enclosed switches to prevent ingress of oil fumes, dust, moisture etc.
- Servicing/change easier with wires connected by screws.

12 Position Switch

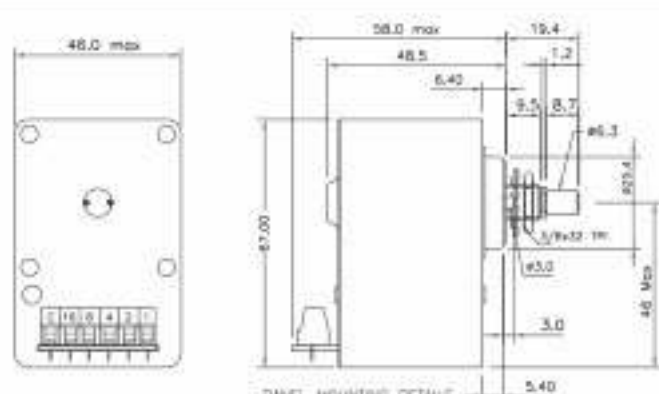


24 Position Switch



PANEL MOUNTING DETAILS

12 Position Switch



24 Position Switch



Note : Standard Pattern available

- 1) 15 - Grey Code & BCD out put Complementary (Max. 24 position)
- 2) 24 position will be without stop/with stopper .
- 3) 30 / 60 - BCD output (30 - 12 position max.) (60 - 6 position max.)

HOW TO ORDER

1. For standard switch by describing as given below
2. For Special configuration, contact Factory.

ORDERING INFORMATION:

ORDERING CODE	No. of Position	Angle of Throw	Output	Terminations
3 7	<input type="text"/> <input type="text"/>	<input type="text"/> <input type="text"/>	<input type="text"/>	<input type="text"/>
	02 to 24	15° - 15 30° - 30 60° - 60	BCD - B GREY - G COMP - BC	PCB - 0 SCREW - 1

SPECIFICATIONS:

CONTACT RATING:	2 Amps (Resistive Load) at 250 V AC
CONTACT RESISTANCE:	50 mill ohms maximum
ELECTRICAL LIFE:	500,000 at 20 CPM at 28V 10 mA
INSULATION RESISTANCE:	Minimum 100Meg ohms at 500 V DC
DIELECTRIC STRENGTH:	1000 VRMS

All Dimensions in mm.